



**MODEL 9377
BASEBALL SCOREBOARD
INSTALLATION INSTRUCTIONS**

These instructions must be followed to ensure correct operation. The warranty will be violated and considered null if inspection and operating procedures are disregarded.

Should you require assistance or have any questions, please call 800-383-6060.

Customer Shipping Inspection

Unpack scoreboard and components and be sure that there are no parts missing or damaged.

Failure to note shipping damage on the Bill of Lading presented to you by the Carrier will severely limit your ability to receive any compensation for damaged or missing parts.

Eversan, Inc. should be notified within 24 hours of delivery of any damaged or missing parts. No claim made after 30 days on missing or damaged parts will receive compensation.

Check List

- Model 9377 Scoreboard
- Control Console with LCD readout
- Two Conductor Control Cable (Cabled Systems Only)
- Z-Mounting Bracket (4)
- Antenna (2) (Wireless Systems Only)

NOTE: Please check that these items are available prior to installation of the scoreboard. If you are missing any items, please call **(800) 383-6060 for assistance.**

**SHOULD THERE BE A MALFUNCTION OR SHIPPING DAMAGE,
NOTIFY THE SHIPPER AND EVERSAN IMMEDIATELY.**

Installation

1. It is recommended that a professional sign company be hired to install the scoreboard.
2. Eversan recommends a minimum depth of 4 ft. and a 5ft. footing diameter.
3. Prepare and sink I-beams, minimum W6x15 I-beam conforming to ASTM A36 recommended (check local codes), align with plumb line and careful measurements.
4. Determine height of lowest point for scoreboard. Mark and align on all mounting beams parallel to visual ground sighting.
5. Drill and bolt (3/8 hardened bolts) or weld provided Z-brackets to the posts as shown in the installation diagram.
6. Lift scoreboard set onto Z bracket. Secure temporarily with a clamp.
7. Place the top Z-brackets on the board and install in the same manner as the lower.
8. The board is now ready to be wired.

INSTRUCTIONS FOR WIRING POWER

1. Determine 120VAC entrance and run conduit to pre-installed electric box on back of scoreboard (see diagram).
2. The scoreboard draws under 12 amp but requires its own circuit breaker. Eversan, Inc. recommends using a 20-amp, GFCI breaker.

CAUTION: Cabled System Only

The data cable is a pre-wired, 2 conductor shielded, 22GA stranded cable. Any cable splicing should be color-coded or failure of the computer power supply will result. Continuity of the shield is essential in reducing possible damage due to lightening.

Electrical Specifications:

Electric outlets for scoreboards are always on a “clean” unused, switched breaker box. Pay close attention to the power source and connections. It is recommended that a key-switch or switched breaker box be used to turn off the system at the end of use each day. **The scoreboard should always be powered down when not in use.**

Power up Sequence:

120VAC Operation (Cabled System)

1. Plug the control console into the scoreboard using the cable provided. Any of the 2-pin connectors on the control console can be used. The connector for the scoreboard is located on the back (see diagram).

2. Power up the scoreboard using 120VAC, connection on back of scoreboard (see diagram).
3. The scoreboard will now go through diagnostics. Each digit will show an 8 and then go blank. The HOME and GUEST RUNS, HITS, and ERRORS will show zero.
4. Turn the control console on using the rocker switch located on the upper left side. The control console will display "EVERSAN SCORING SYSTEMS" for approx. 5 seconds. The console display will then read "G=99 H99 E9 B9 S9 O9" on the top line and "H=99 H99 E9 INN=19->9" on the bottom line. You are now ready to use the operating instructions to test all the functions.

Control Console Battery Operation 12 VDC (Optional):

1. Attach the battery connector to the 4 pin connector on the back of the control console (see diagram).
2. Connect the cigarette lighter plug into the Eversan battery pack or car cigarette lighter. Continue, starting with step 3 above.

WIRELESS OPERATION

Eversan, Inc.'s 2.4GHZ frequency hopping wireless control system allows for multiple scoreboards to be controlled separately or together within feet of each other.

Initializing the wireless system:

The following steps must be used to ensure proper communication from the 9377 wireless control console and each scoreboard you want to control. For a wireless system to work the scoreboard must always be turned on before the control console.

1. Turn the power to on each 9377 scoreboard that you want to control. The scoreboards should show the center segment of each digit illuminated.
2. Connect the antenna, 9VDC adapter provided or optional 12-volt battery, to the 9377 wireless control console (see diagram for proper placement).
3. Turn on the control console. The control console will display "EVERSAN SCORING SYSTEMS" for approx. 5 seconds. The display will then show, "WIRELESS NETWORK SYSTEM ID = XX" for approx. 3 seconds. The console will then show "G=99 H99 E9 B9 S9 O9" on the top line and "H=99 H99 E9 INN=19->9" on the bottom line of the console display.
4. While the control console is initializing it is also communicating with the scoreboard and the scoreboard will go through its diagnostic checkout. Each number position will flash eight (8) and then go blank. The scoreboard will then display zero in the HOME and GUEST RUNS, HITS, and ERR. See operating instructions.

MODEL 9377 INSTALLATION

INSTALLATION:

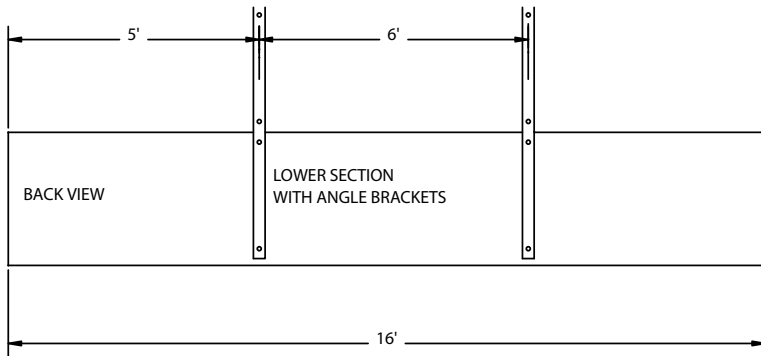
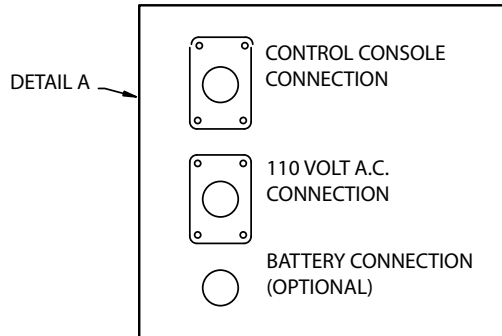
1. PLACE SUPPORT BRACKETS ON LOWER BACK OF BOTTOM SCOREBOARD.
2. LOCATE, ON I BEAMS, WHERE THE BOTTOM OF SCOREBOARD WILL BE AND MOUNT BOTTOM Z BRACKETS. EITHER BOLT Z BRACKET TO I BEAM OR WELD Z BRACKET TO I BEAM.
3. LIFT SCOREBOARD INTO Z BRACKETS, CHECK FOR LEVEL AND SECURE WITH TOP BRACKETS.

NOTE:

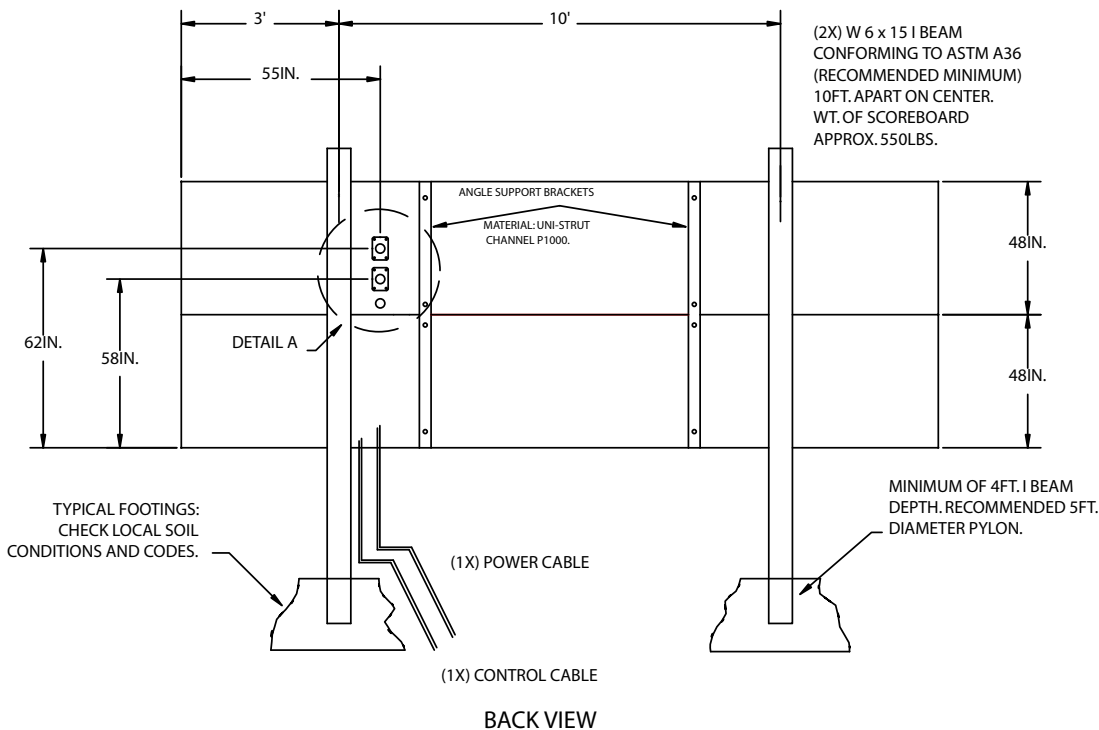
ANGLED SUPPORT BRACKET LENGTH IS 8FT.

I BEAM SHOULD EXTEND 4IN TO 5IN FOR TOP Z BRACKET.

110 ACCESS PANEL DIAGRAM



MATERIAL: 1/4IN. X 3IN. P&O M1020 STEEL.



(4X) Z BRACKET SUPPLIED BY EVERSAN, INC.

