



www.eversan.com

## MODEL 9377

AT BAT	BALL	STRIKE	OUT	INNING
59	2	1	2	18
EVERSAN		RUNS	HITS	ERR.
GUEST •	14	14	1	
HOME ■	18	23	1	

## BASEBALL/SOFTBALL SCOREBOARD

### Instruction Manual

Address: 34 Main Street, Whitesboro, NY 13492

Phone: 315-736-3967 • Toll Free: 800-383-6060 • Fax: 315-736-4058

SCOREBOARDS • TIMERS • MESSAGE SIGNS • VIDEO DISPLAYS • WIRELESS

# Table of Contents

Check List .....	1
Installation Instructions.....	2
Instructions for Wiring .....	2
Installation Diagram .....	4
Wireless Operation .....	5
Operating Instructions .....	5
Maintenance of Outdoor Scoreboards .....	7
Removal and Replacement Procedures .....	7
Cabled/Wireless Console .....	8



**MODEL 9377  
BASEBALL SCOREBOARD  
INSTALLATION INSTRUCTIONS**

These instructions must be followed to ensure correct operation. The warranty will be violated and considered null if inspection and operating procedures are disregarded.

Should you require assistance or have any questions, please call 800-383-6060.

**Customer Shipping Inspection**

Unpack scoreboard and components and be sure that there are no parts missing or damaged.

**Failure to note shipping damage on the Bill of Lading presented to you by the Carrier will severely limit your ability to receive any compensation for damaged or missing parts.**

Eversan, Inc. should be notified with in 24 hours of delivery of any damaged or missing parts. No claim made after 30 days on missing or damaged parts will receive compensation.

**Check List**

- Model 9377 Scoreboard
- Control Console with LCD readout
- Two Conductor Control Cable (Cabled Systems Only)
- Z-Mounting Bracket (4)
- Antenna (2) (Wireless Systems Only)

**NOTE:** Please check that these items are available prior to installation of the scoreboard. If you are missing any items, please call **(800) 383-6060 for assistance.**

**SHOULD THERE BE A MALFUNCTION OR SHIPPING DAMAGE,  
NOTIFY THE SHIPPER AND EVERSAN IMMEDIATELY.**

## Installation

1. It is recommended that a professional sign company be hired to install the scoreboard.
2. Eversan recommends a minimum depth of 4 ft. and a 5ft. footing diameter.
3. Prepare and sink I-beams, minimum W6x15 I-beam conforming to ASTM A36 recommended (check local codes), align with plumb line and careful measurements.
4. Determine height of lowest point for scoreboard. Mark and align on all mounting beams parallel to visual ground sighting.
5. Drill and bolt (3/8 hardened bolts) or weld provided Z-brackets to the posts as shown in the installation diagram.
6. Lift scoreboard set onto Z bracket. Secure temporarily with a clamp.
7. Place the top Z-brackets on the board and install in the same manner as the lower.
8. The board is now ready to be wired.

## **INSTRUCTIONS FOR WIRING POWER**

1. Determine 120VAC entrance and run conduit to pre-installed electric box on back of scoreboard (see diagram).
2. The scoreboard draws under 12 amp but requires its own circuit breaker. Eversan, Inc. recommends using a 20-amp, GFCI breaker.

### **CAUTION: Cabled System Only**

The data cable is a pre-wired, 2 conductor shielded, 22GA stranded cable. Any cable splicing should be color-coded or failure of the computer power supply will result. Continuity of the shield is essential in reducing possible damage due to lightening.

### **Electrical Specifications:**

Electric outlets for scoreboards are always on a "clean" unused, switched breaker box. Pay close attention to the power source and connections. It is recommended that a key-switch or switched breaker box be used to turn off the system at the end of use each day. **The scoreboard should always be powered down when not in use.**

### **Power up Sequence:**

#### **120VAC Operation (Cabled System)**

1. Plug the control console into the scoreboard using the cable provided. Any of the 2-pin connectors on the control console can be used. The connector for the scoreboard is located on the back (see diagram).

2. Power up the scoreboard using 120VAC, connection on back of scoreboard (see diagram).
3. The scoreboard will now go through diagnostics. Each digit will show an 8 and then go blank. The HOME and GUEST RUNS, HITS, and ERRORS will show zero.
4. Turn the control console on using the rocker switch located on the upper left side. The control console will display "EVERSAN SCORING SYSTEMS" for approx. 5 seconds. The console display will then read "G=99 H99 E9 B9 S9 O9" on the top line and "H=99 H99 E9 INN=19->9" on the bottom line. You are now ready to use the operating instructions to test all the functions.

## **Control Console Battery Operation 12 VDC (Optional):**

1. Attach the battery connector to the 4 pin connector on the back of the control console (see diagram).
2. Connect the cigarette lighter plug into the Eversan battery pack or car cigarette lighter. Continue, starting with step 3 above.

## **WIRELESS OPERATION**

Eversan, Inc.'s 2.4GHZ frequency hopping wireless control system allows for multiple scoreboards to be controlled separately or together within feet of each other.

### **Initializing the wireless system:**

**The following steps must be used to ensure proper communication from the 9377 wireless control console and each scoreboard you want to control. For a wireless system to work the scoreboard must always be turned on before the control console.**

1. Turn the power to on each 9377 scoreboard that you want to control. The scoreboards should show the center segment of each digit illuminated.
2. Connect the antenna, 9VDC adapter provided or optional 12-volt battery, to the 9377 wireless control console (see diagram for proper placement).
3. Turn on the control console. The control console will display "EVERSAN SCORING SYSTEMS" for approx. 5 seconds. The display will then show, "WIRELESS NETWORK SYSTEM ID = XX" for approx. 3 seconds. The console will then show "G=99 H99 E9 B9 S9 O9" on the top line and "H=99 H99 E9 INN=19->9" on the bottom line of the console display.
4. While the control console is initializing it is also communicating with the scoreboard and the scoreboard will go through its diagnostic checkout. Each number position will flash eight (8) and then go blank. The scoreboard will then display zero in the HOME and GUEST RUNS, HITS, and ERR. See operating instructions.

## MODEL 9377 INSTALLATION

**INSTALLATION:**

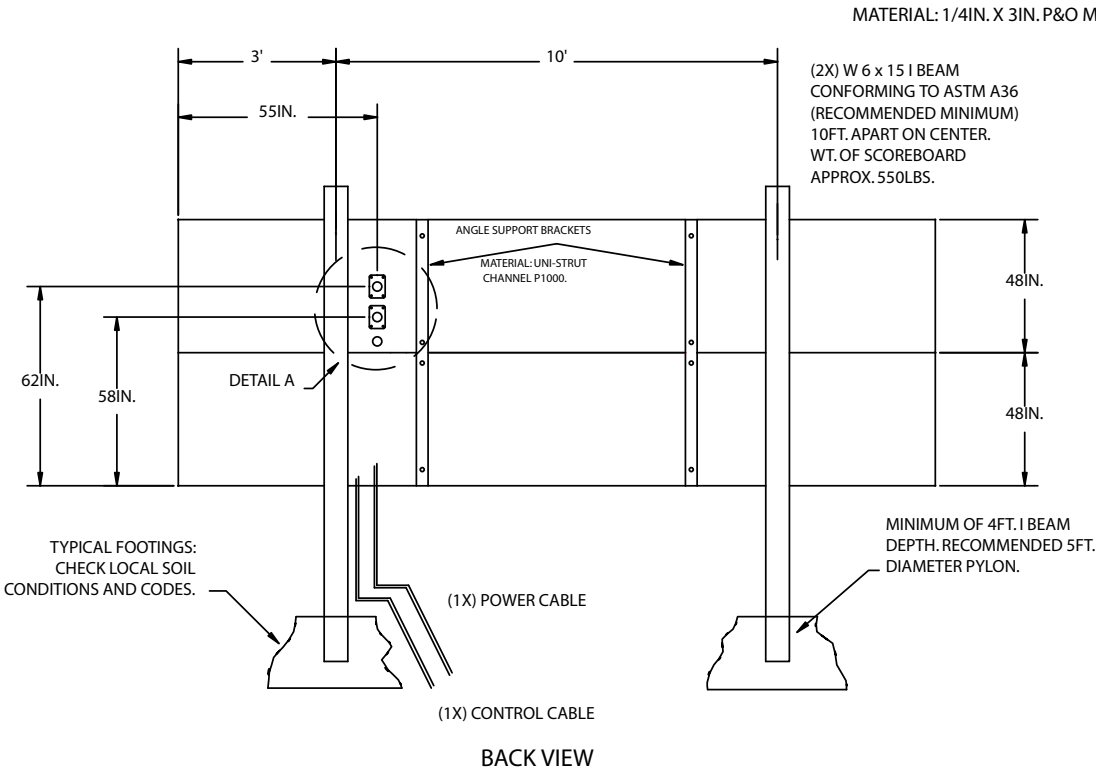
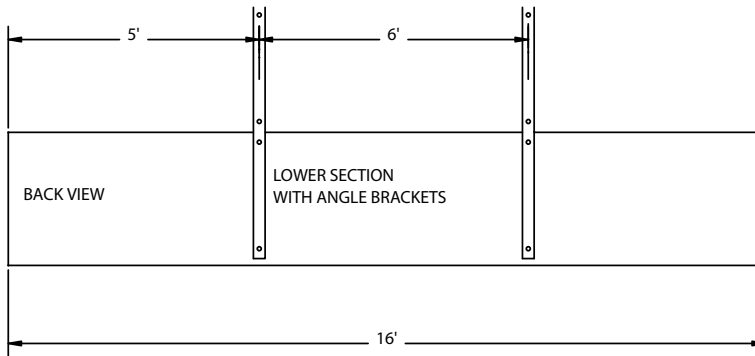
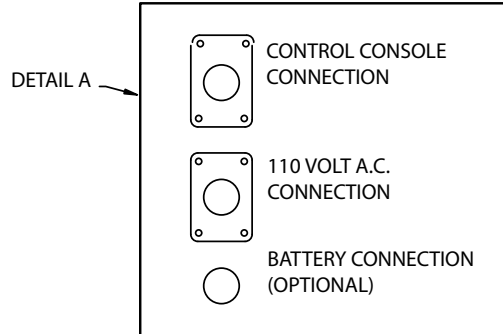
1. PLACE SUPPORT BRACKETS ON LOWER BACK OF BOTTOM SCOREBOARD.
2. LOCATE, ON I BEAMS, WHERE THE BOTTOM OF SCOREBOARD WILL BE AND MOUNT BOTTOM Z BRACKETS. EITHER BOLT Z BRACKET TO I BEAM OR WELD Z BRACKET TO I BEAM.
3. LIFT SCOREBOARD INTO Z BRACKETS, CHECK FOR LEVEL AND SECURE WITH TOP BRACKETS.

**NOTE:**

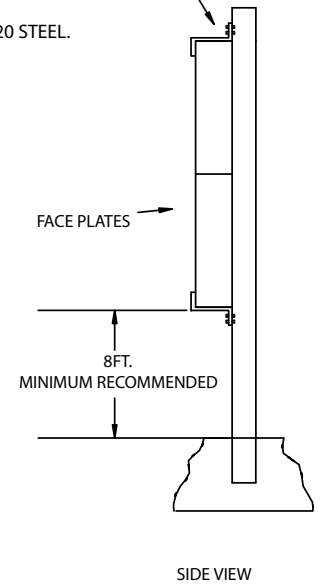
ANGLED SUPPORT BRACKET LENGTH IS 8FT.

I BEAM SHOULD EXTEND 4IN TO 5IN FOR TOP Z BRACKET.

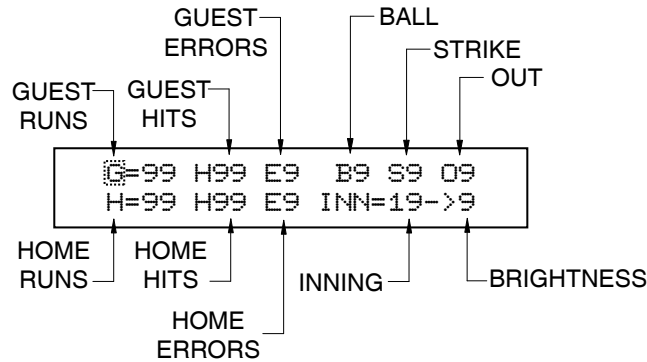
**110 ACCESS PANEL DIAGRAM**



(4X) Z BRACKET SUPPLIED BY EVERSAN, INC.



## OPERATING INSTRUCTIONS



**AT BAT INDICATOR:** Press and Release A.B.I. button once to toggle the indicator back and forth between home and guest. Cursor moves back and forth in the LCD screen to highlight G=99 or H=99. To set the number display, press and release the AT BAT button once to increment by one. Or press and release the AT BAT button once and then select a number from 0-19 on the keypad.

**INNING:** Increments the Inning digit by one. Press and release the INNING button once to increment the inning by one. Or press and release the INNING button once then select a number from 0-19 on the keypad.

**BALL:** Displays the number of balls thrown. Press and release the BALL button once to increment the number of balls by one. Or press and release the BALL button once then select a number from 0-9 on the keypad.

**STRIKE:** Displays how many strikes the current players have. Press and release the STRIKE button once to increment the number of strikes by one. Or press and release the STRIKE button once then select a number from 0-9 on the keypad.

**OUT:** Displays the number of outs for the current inning. Press and release the OUT button to increment the number of outs by one. Or press and release the OUT button once then select a number from 0-9 on the keypad.

**ERR.:** Displays the number of Errors for Home and Guest teams. Press and release the ERR. button to increment the number of HOME/GUEST errors by one. Or press and release the ERR. button once then select a number from 0-9 on the keypad.

**HITS:** Displays the number of hits for each team. Press and release the HOME/GUEST HITS button. to increment the number displayed by one. Or press and release the HITS button once then select a two digit number from 0-99 on the keypad.

**HOME/GUEST RUNS:** Displays the number of Runs made by each team. Press and release the HOME/GUEST RUNS button to increment the display by one. Or press and release the HOME RUNS/GUEST RUNS button once then select a two digit number 0-99 on the keypad.

**BS CLEAR:** Clears the BALL and STRIKE displays. Press and release the button on the keypad once to clear the BALL display and STRIKE display.

**BRIGHT:** Control the how bright or dim the LED digits are. Press and release the button on the keypad to increase the brightness of the digits.

## **Wireless control console battery operation (optional):**

1. Turn the scoreboard power on.
2. Attach Eversan, Inc.'s special battery connector to the 4-pin connector on the back of the wireless control console (see diagram).
3. Connect the cigarette lighter plug into the Eversan battery pack or a car cigarette lighter.

## **Care of Battery Pack**

Under no circumstances should the battery pack be punctured or disassembled in any way. NEVER insert anything into the battery receptacle except a standard cigarette lighter type plug. The battery pack should always be stored in a fully charged condition and in a cool, dry place. When stored for a long period of time, the battery should be charged before use.

## **Charging**

The Battery should be charged after each use. Insert the cigarette lighter type plug of the charger into the receptacle on the side of the battery pack. Plug the charger into any standard 120volt household plug. Depending on the amount of drain on the battery, the following is a guide for recharging time. A 25% discharge requires 4 hours recharging. A 50% discharge requires 8 hours. A 100% discharge requires 14 hours recharging time.

**NOTE:** The Battery should NOT be left in the Recharging mode for more than 24 hours as this can damage the cell.

**CAUTION:** DO NOT attempt to charge this battery pack on currents other than 60-cycles 110volt/120volt AC current. Do not attempt to use the battery during charging.



## MAINTENANCE OF OUTDOOR SCOREBOARDS

The EVERSAN Outdoor Scoreboards rugged design will provide many years of trouble free performance.

### **Should you have a problem:**

The EVERSAN Outdoor Scoreboard modular design allows easy removal and replacement of all key elements. **Under no circumstances will EVERSAN, INC. pay for service performed on any of our products without expressed written notice from EVERSAN, INC. to the Service Company.**

### **Note to the customer:**

Please call our qualified service technicians if you experience any difficulties. We can assist you in solving your problem or help in returning the section in need of repair.

## REMOVAL AND REPLACEMENT PROCEDURES

Should repair become necessary the customer will note that each digit (8) is housed as an individual item within the scoreboard.

- Determine which digit is malfunctioning by observing the check out of 8's during power up or during operation.

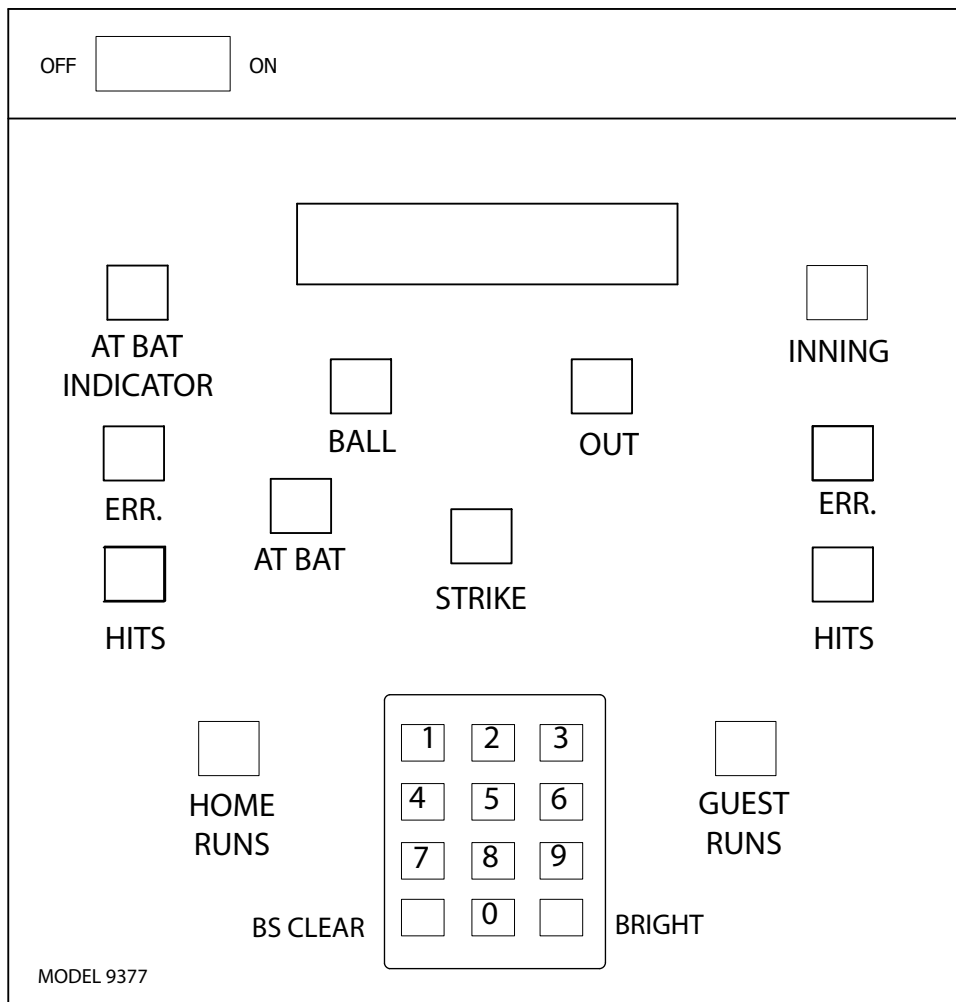
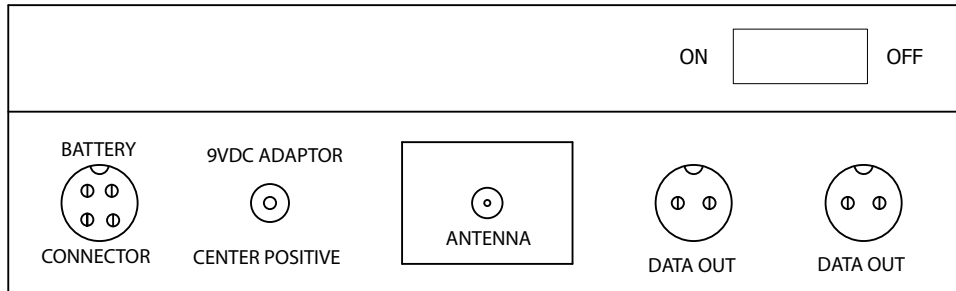
### **To remove or replace digits:**

1. REMOVE ALL POWER FROM THE SCOREBOARD.
2. Unscrew the (4) four screws that hold the digit in place and slowly pull the digit away from scoreboard.
3. Detach the 9-pin segment data cable connector by pressing down on the top the latch on the side of the locking connector and pulling up on the connector. The Digit is removed.
4. Take the new digit and connect the 9-pin connector in the scoreboard to the 9-pin connector on back of digit. DO NOT FORCE.

**NOTE:** The connector is polarized and must be installed in only one direction.

Replacing the (4) four screws that hold the digit into place and test scoreboard. If problem persists please contact Eversan, Inc.

## 9377 2.4GHZ WIRELESS LCD CONTROL CONSOLE





[www.eversan.com](http://www.eversan.com)

**MODEL 9377  
BASEBALL/SOFTBALL  
SCOREBOARD**

**Address:** 34 Main Street, Whitesboro, NY 13492

**Phone:** 315-736-3967 • **Toll Free:** 800-383-6060 • **Fax:** 315-736-4058

**SCOREBOARDS • TIMERS • MESSAGE SIGNS • VIDEO DISPLAYS • WIRELESS**