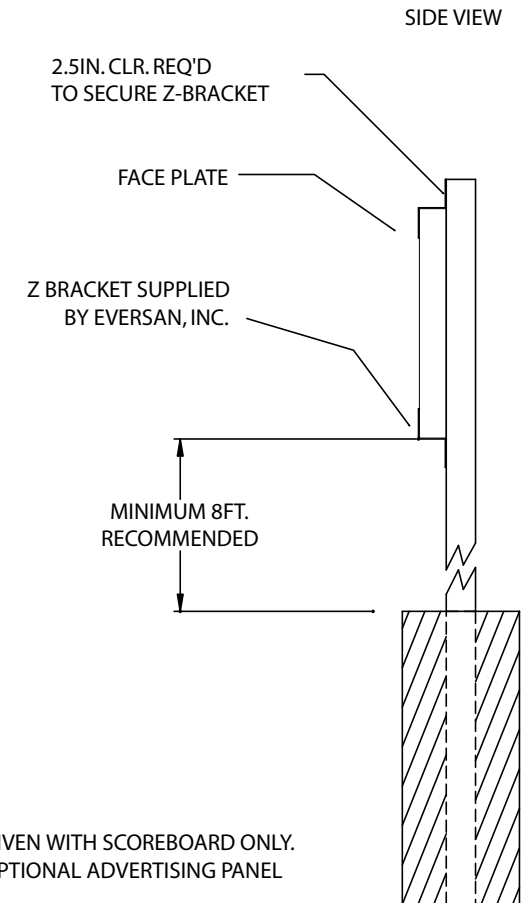
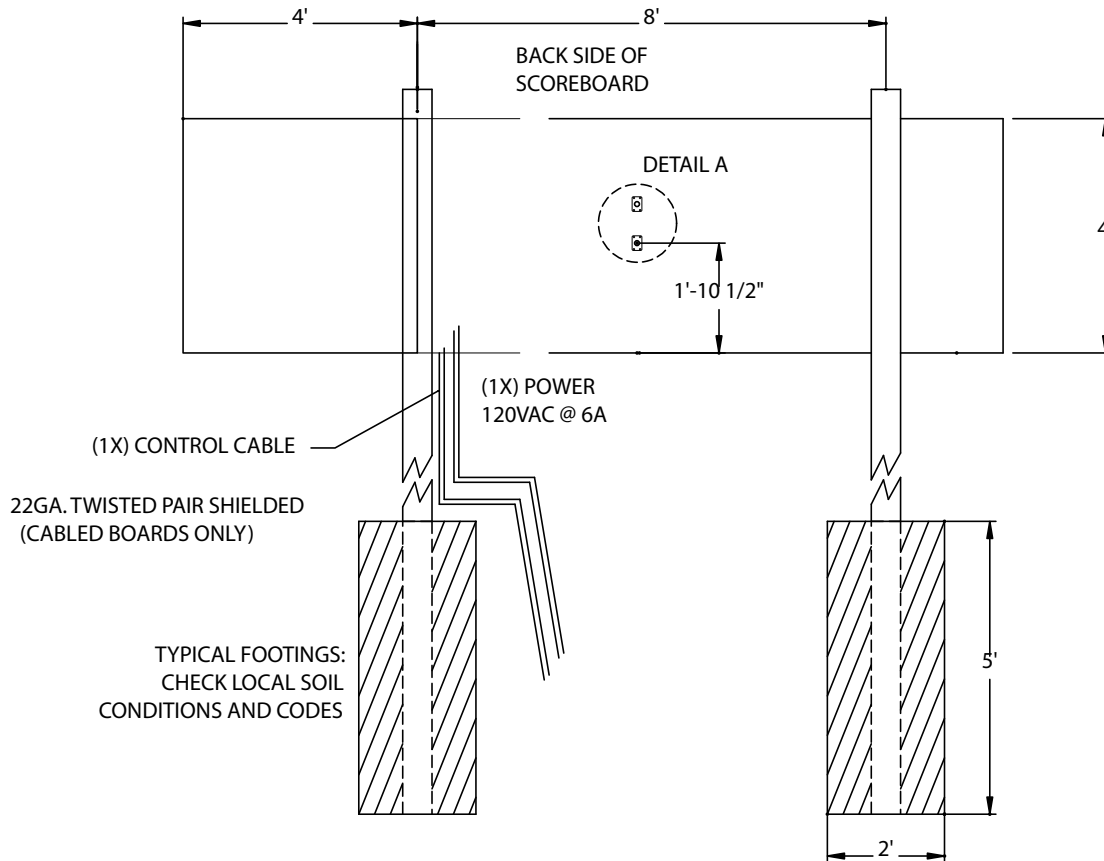
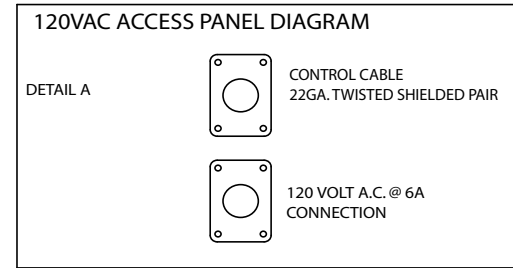


# TYPICAL MODEL 9270 INSTALLATION

1. SET BEAMS AT PROPER LOCATIONS.
2. LOCATE ON I BEAMS, WHERE THE BOTTOM OF SCORE BOARD WILL BE AND MOUNT BOTTOM Z BRACKETS. EITHER BOLT OR WELD Z BRACKET TO I BEAMS.
3. LIFT SCOREBOARD AND OPTIONAL SPONSER INTO Z BRACKETS, CHECK FOR LEVEL AND SECURE WITH TOP BRACKETS.

NOTE: MINIMUM W6 x 15 I BEAM (ASTM A36)  
8FT. APART ON CENTER  
WT. APPROXIMATELY 140LBS.



NOTE: ALL DIMENSIONS GIVEN WITH SCOREBOARD ONLY.  
MAKE ADJUSTMENTS IF OPTIONAL ADVERTISING PANEL  
IS PURCHASED.