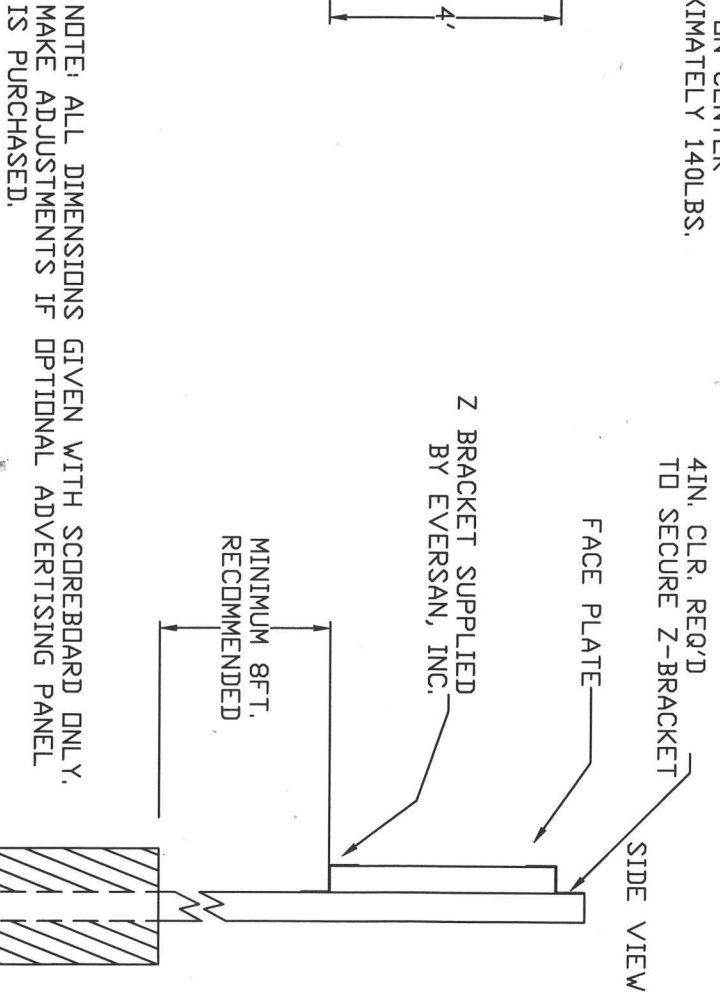
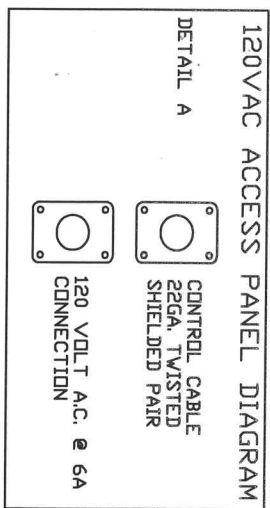
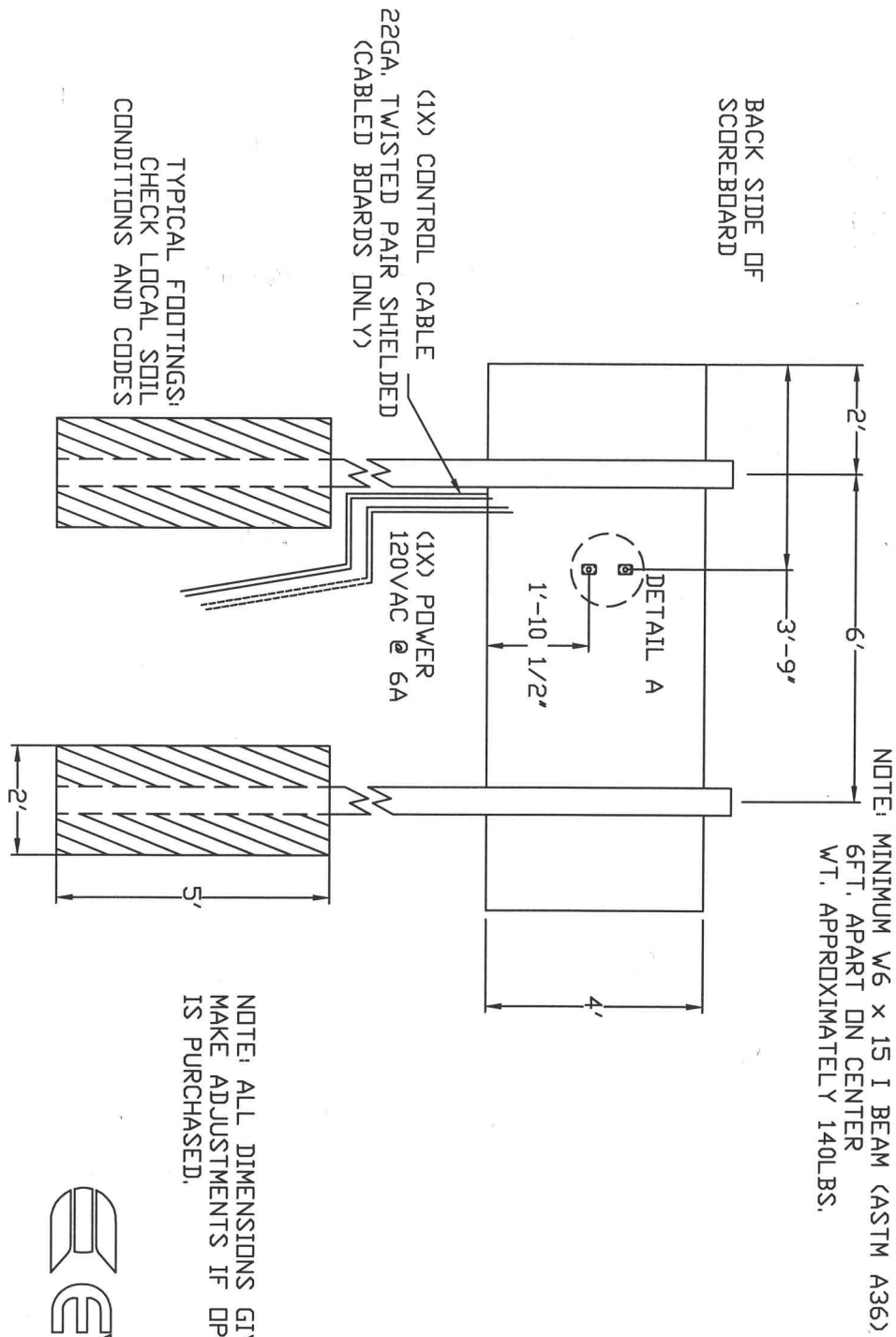


TYPICAL MODEL 9175 INSTALLATION

1. SET BEAMS AT PROPER LOCATIONS.
2. LOCATE ON I BEAMS, WHERE THE BOTTOM OF SCORE BOARD WILL BE AND MOUNT BOTTOM Z BRACKETS. EITHER BOLT OR WELD Z BRACKET TO I BEAMS.
3. LIFT SCOREBOARD AND OPTIONAL SPONSER INTO Z BRACKETS, CHECK FOR LEVEL AND SECURE WITH TOP BRACKETS.



EVERSSAN