

EVERSAN INC.

Page 1

MODEL 9128

BASEBALL/SOFTBALL SCOREBOARD INSTALLATION INSTRUCTIONS

These instructions must be followed to ensure correct operation. The warranty will be violated and considered null if inspection and operating procedures are disregarded.

Should you require assistance or have any questions, please call (800) 383-6060.

Check List

- Model 9128 Scoreboard
- Control Console with LCD readout
- Two Conductor Control Cable (Cabled Systems Only)
- (4) Mounting Brackets
- (2) Antenna (Wireless Systems Only)

NOTE: Please check that these items are available prior to initial test of the scoreboard. If you are missing any items, please **call (800) 383-6060 for assistance.**

Customer Shipping Inspection

- A. Unpack scoreboard.
- B. Unpack cable and control console.
Plug the console cable and console into the console connector on back (see diagram)
- C. Testing - Remove (4) four screws holding the access panel on the 120VAC box. There is a standard 120-volt plug for testing. After testing cut connector provided. Match colors on power cable provided to three wires on 120V box. This board requires 120VAC at approximately 6 AMP. (see diagram)

**NOTE: FAILURE TO TEST SCOREBOARD PRIOR TO INSTALLATION
WILL VOID ALL WARRANTIES.**

Power scoreboard using 120VAC and test scoreboard using the operating instructions provided.

**SHOULD THERE BE A MALFUNCTION OR SHIPPING DAMAGE,
NOTIFY THE SHIPPER AND EVERSAN IMMEDIATELY.**

Installation

1. It is recommended that a professional sign company be hired to install the scoreboard. SEE **EVERSAN, INC. • 34 Main Street, Whitesboro, NY 13492 • 1-800-383-6060 Fax: 315-736-4058**
www.eversan.com

DRAWINGS

2. Eversan recommends a minimum depth of 6 ft. and a 2.5ft. footer diameter.
3. Calculate the wind loading by standard formula for height and dimension of sign.
NOTE: Check local codes for your area.
4. Prepare and sink I-beams, W10 x 15 I-Beam conforming to ASTM A36 recommended minimum, align with plumb line and careful measurements.
5. Determine height of lowest point for scoreboard. Mark and align on all mounting beams parallel to visual ground sighting.
6. Drill and bolt (3/8 hardened bolts) or weld provided bottom Z-brackets to the posts as shown in the installation diagram.
7. Fully assemble the scoreboard along with any optional sponsor panels with hardware provided. Be sure to remove the OUT panel and feed the data wires from the top half of the scoreboard to the bottom half. Remove the power supply cover, panel directly below the OUT panel, match connectors to their corresponding locations, and connect them. The connectors are polarized and can only go on one way.
8. Lift scoreboard set onto Z bracket. Secure temporarily with a clamp.
9. Place the top Z-brackets on the board and install in the same manner as the lower.
10. The board is now ready to be wired.

Instructions for wiring

1. Determine 120VAC entrance and run conduit to pre-installed electric box on back of scoreboard. See diagram.
2. The scoreboard draws under 6 amp but requires its own circuit breaker. Eversan, Inc. recommends using a 10 amp, GFCI breaker.

CAUTION: Cabled Version Only

The data cable is a pre-wired, 1 pair twisted shielded. Any cable splicing should be color-coded or failure of the computer power supply will result. Continuity of the shield is essential in reducing possible damage due to lightening.

Electrical Specifications:

Electric outlets for scoreboards are always on a “clean” unused, switched breaker box. Pay close attention to the power source and connections. It is recommended that a key-switch or switched breaker box be used to turn off the system at the end of use each day, turning off the Control Console does not power down the scoreboard. **The scoreboard should always be powered down when not in use.**

Power up Sequence

120VAC Operation

1. Plug the control console into the scoreboard using the cable provided. Any of the 2-pin connectors on the control console can be used. The connector for the scoreboard is located on the back. (Cabled System only)(see Diagram)

2. Power up the scoreboard using 120VAC, connection on back of scoreboard. (see Diagram)
3. The scoreboard will now go through diagnostics. Each digit will show an 8 and then go blank. Each set of indicators will then set and reset to blank. The units' digit of home and guest and the innings digit will then set to zero. The remaining digits and indicators will be blanked.
4. Turn the control console on using the rocker switch located on the upper left side. The control console will display "EVERSAN DISPLAY SYSTEMS" for approx. 5 seconds. The display will then show, "B=0 S=0 O=0 H/E=0 HOME=0 I=0 GUEST=0". You are now ready to use the operating instructions to test all the functions.

Note: If the control console will not power up or shows "BATTERY LOW" replace the battery with a 9V alkaline battery(cable systems only) or use the 9 volt adapter provided.

MODEL 9128 INSTALLATION

INSTALLATION:

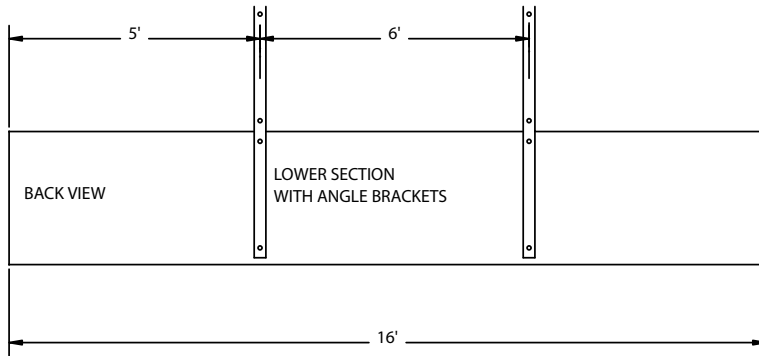
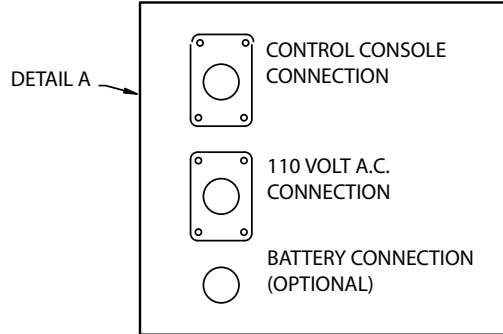
1. PLACE SUPPORT BRACKETS ON LOWER BACK OF BOTTOM SCOREBOARD.
2. LOCATE, ON I BEAMS, WHERE THE BOTTOM OF SCOREBOARD WILL BE AND MOUNT BOTTOM Z BRACKETS. EITHER BOLT Z BRACKET TO I BEAM OR WELD Z BRACKET TO I BEAM.
3. LIFT SCOREBOARD INTO Z BRACKETS, CHECK FOR LEVEL AND SECURE WITH TOP BRACKETS.

NOTE:

ANGLED SUPPORT BRACKET LENGTH IS 8FT.

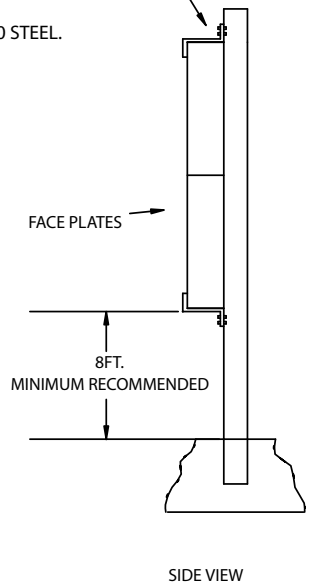
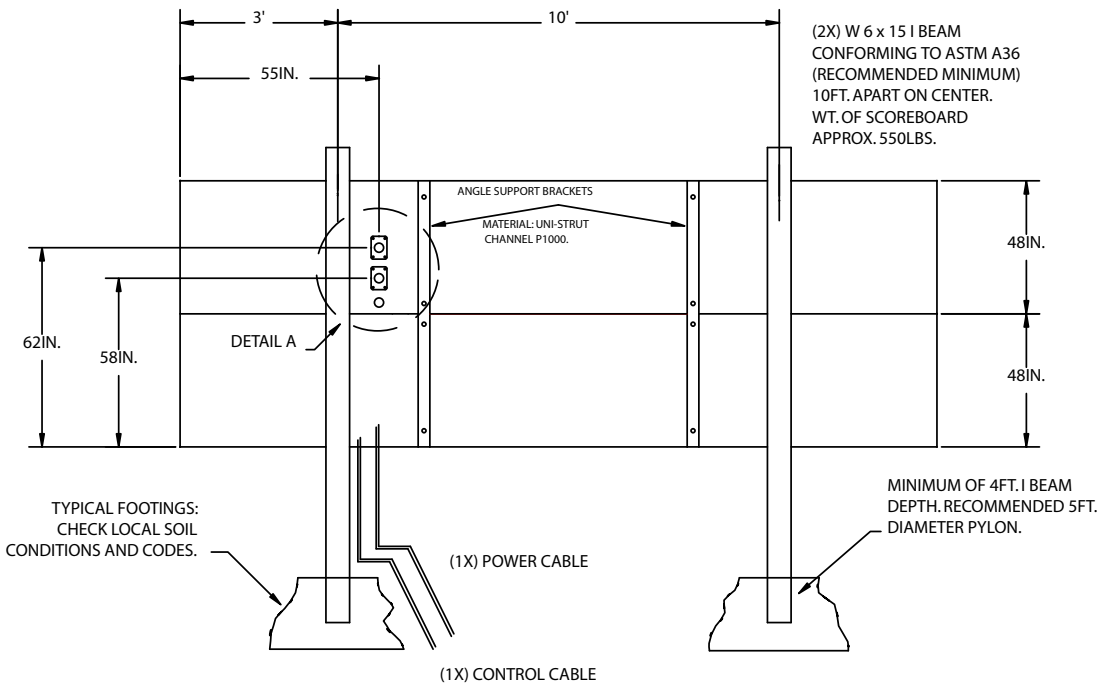
I BEAM SHOULD EXTEND 4IN TO 5IN FOR TOP Z BRACKET.

110 ACCESS PANEL DIAGRAM



(4X) Z BRACKET SUPPLIED BY EVERSAN, INC.

MATERIAL: 1/4IN. X 3IN. P&O M1020 STEEL.



BACK VIEW