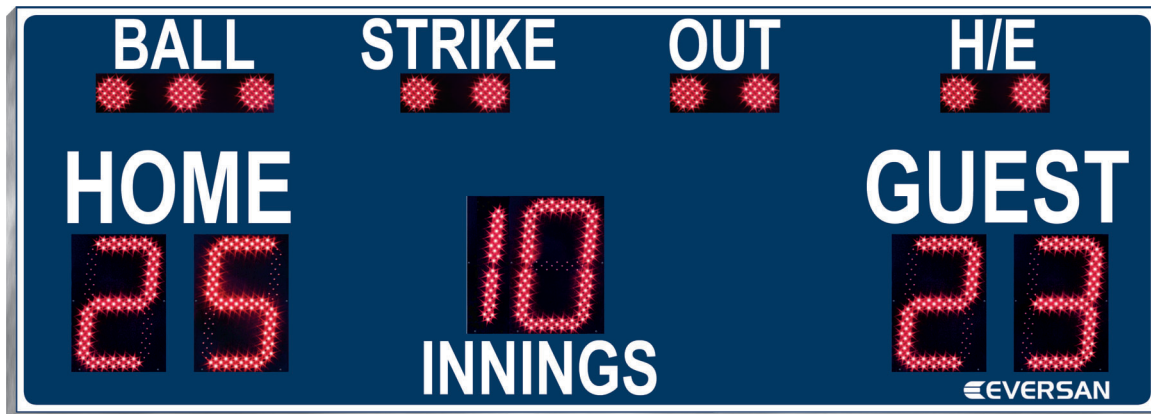


EVERSAN INC.

www.eversan.com

MODEL 9128



BASEBALL/SOFTBALL SCOREBOARD

Instruction Manual

Address: 34 Main Street, Whitesboro, NY 13492

Phone: 315-736-3967 • Toll Free: 800-383-6060 • Fax: 315-736-4058

SCOREBOARDS • TIMERS • MESSAGE SIGNS • VIDEO DISPLAYS • WIRELESS

Table of Contents

| | |
|--|---|
| Check List | 1 |
| Installation Instructions..... | 2 |
| Instructions for Wiring | 2 |
| Installation Diagram | 4 |
| Wireless Operation | 5 |
| Operating Instructions | 5 |
| Maintenance of Outdoor Scoreboards | 7 |
| Removal and Replacement Procedures | 7 |
| Cabled/Wireless Console | 8 |

EVERSAN INC.

Page 1

MODEL 9128

BASEBALL/SOFTBALL SCOREBOARD INSTALLATION INSTRUCTIONS

These instructions must be followed to ensure correct operation. The warranty will be violated and considered null if inspection and operating procedures are disregarded.

Should you require assistance or have any questions, please call (800) 383-6060.

Check List

- Model 9128 Scoreboard
- Control Console with LCD readout
- Two Conductor Control Cable (Cabled Systems Only)
- (4) Mounting Brackets
- (2) Antenna (Wireless Systems Only)

NOTE: Please check that these items are available prior to initial test of the scoreboard. If you are missing any items, please **call (800) 383-6060 for assistance.**

Customer Shipping Inspection

- A. Unpack scoreboard.
- B. Unpack cable and control console.
Plug the console cable and console into the console connector on back (see diagram)
- C. Testing - Remove (4) four screws holding the access panel on the 120VAC box. There is a standard 120-volt plug for testing. After testing cut connector provided. Match colors on power cable provided to three wires on 120V box. This board requires 120VAC at approximately 6 AMP. (see diagram)

**NOTE: FAILURE TO TEST SCOREBOARD PRIOR TO INSTALLATION
WILL VOID ALL WARRANTIES.**

Power scoreboard using 120VAC and test scoreboard using the operating instructions provided.

**SHOULD THERE BE A MALFUNCTION OR SHIPPING DAMAGE,
NOTIFY THE SHIPPER AND EVERSAN IMMEDIATELY.**

Installation

1. It is recommended that a professional sign company be hired to install the scoreboard. SEE **EVERSAN, INC. • 34 Main Street, Whitesboro, NY 13492 • 1-800-383-6060 Fax: 315-736-4058**
www.eversan.com

DRAWINGS

2. Eversan recommends a minimum depth of 6 ft. and a 2.5ft. footer diameter.
3. Calculate the wind loading by standard formula for height and dimension of sign.
NOTE: Check local codes for your area.
4. Prepare and sink I-beams, W10 x 15 I-Beam conforming to ASTM A36 recommended minimum, align with plumb line and careful measurements.
5. Determine height of lowest point for scoreboard. Mark and align on all mounting beams parallel to visual ground sighting.
6. Drill and bolt (3/8 hardened bolts) or weld provided bottom Z-brackets to the posts as shown in the installation diagram.
7. Fully assemble the scoreboard along with any optional sponsor panels with hardware provided. Be sure to remove the OUT panel and feed the data wires from the top half of the scoreboard to the bottom half. Remove the power supply cover, panel directly below the OUT panel, match connectors to their corresponding locations, and connect them. The connectors are polarized and can only go on one way.
8. Lift scoreboard set onto Z bracket. Secure temporarily with a clamp.
9. Place the top Z-brackets on the board and install in the same manner as the lower.
10. The board is now ready to be wired.

Instructions for wiring

1. Determine 120VAC entrance and run conduit to pre-installed electric box on back of scoreboard. See diagram.
2. The scoreboard draws under 6 amp but requires its own circuit breaker. Eversan, Inc. recommends using a 10 amp, GFCI breaker.

CAUTION: Cabled Version Only

The data cable is a pre-wired, 1 pair twisted shielded. Any cable splicing should be color-coded or failure of the computer power supply will result. Continuity of the shield is essential in reducing possible damage due to lightening.

Electrical Specifications:

Electric outlets for scoreboards are always on a "clean" unused, switched breaker box. Pay close attention to the power source and connections. It is recommended that a key-switch or switched breaker box be used to turn off the system at the end of use each day, turning off the Control Console does not power down the scoreboard. **The scoreboard should always be powered down when not in use.**

Power up Sequence

120VAC Operation

1. Plug the control console into the scoreboard using the cable provided. Any of the 2-pin connectors on the control console can be used. The connector for the scoreboard is located on the back. (Cabled System only)(see Diagram)

2. Power up the scoreboard using 120VAC, connection on back of scoreboard. (see Diagram)
3. The scoreboard will now go through diagnostics. Each digit will show an 8 and then go blank. Each set of indicators will then set and reset to blank. The units' digit of home and guest and the innings digit will then set to zero. The remaining digits and indicators will be blanked.
4. Turn the control console on using the rocker switch located on the upper left side. The control console will display "EVERSAN DISPLAY SYSTEMS" for approx. 5 seconds. The display will then show, "B=0 S=0 O=0 H/E=0 HOME=0 I=0 GUEST=0". You are now ready to use the operating instructions to test all the functions.

Note: If the control console will not power up or shows "BATTERY LOW" replace the battery with a 9V alkaline battery(cable systems only) or use the 9 volt adapter provided.

OPERATING INSTRUCTIONS

TO SET THE INNING: Press the **INNINGS** button once to increment by one. Press and release the button and enter a one-digit number using 0-19 on the numbered keypad.

TO SET THE SCORE: Press the **HOME** or **GUEST** button once to increment by one. Press and hold down the button to decrement. Press and release the button and enter any two-digit number using 0-9 on the keypad.

TO SET BALL, STRIKE or OUT: Press corresponding button once to increment by one. **BALL** will increment to 3 and then set blank. **STRIKE** and **OUT** will increment to two and then set to blank.

TO CLEAR BALLS AND STRIKES: Press the **BS-CLEAR** button on the keypad.

BRIGHTNESS CONTROL: This scoreboard has an optional automatic brightness control circuit to control how bright the LED's appear on the scoreboard. If this optional system was not purchased you can adjust the luminance manually. Press and release the **BRIGHTNESS** button and then push any number 0-9 on the keypad. 0 will blank the scoreboard and 9 will be maximum brightness.

WIRELESS OPERATION

Eversan, Inc.'s 2.4GHZ frequency hopping wireless control system allows for multiple scoreboards to be controlled separately or together within feet of each other.

INITIALIZING THE WIRELESS SYSTEM

The following steps must be used to ensure proper communication from the 9376 wireless control console and each scoreboard you want to control.

1. Turn the power to on each 9128 Scoreboard that you want to control. The scoreboards should go through their diagnostic checkout. Each number position will flash a (8) eight and go blank; each indicator will flash on and then go blank.

MODEL 9128 INSTALLATION

INSTALLATION:

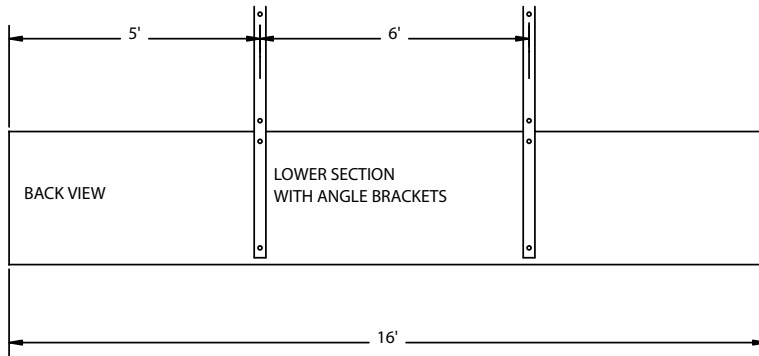
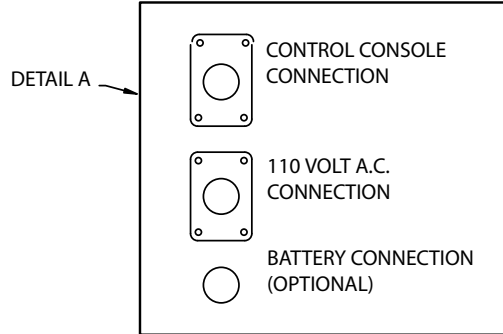
1. PLACE SUPPORT BRACKETS ON LOWER BACK OF BOTTOM SCOREBOARD.
2. LOCATE, ON I BEAMS, WHERE THE BOTTOM OF SCOREBOARD WILL BE AND MOUNT BOTTOM Z BRACKETS. EITHER BOLT Z BRACKET TO I BEAM OR WELD Z BRACKET TO I BEAM.
3. LIFT SCOREBOARD INTO Z BRACKETS, CHECK FOR LEVEL AND SECURE WITH TOP BRACKETS.

NOTE:

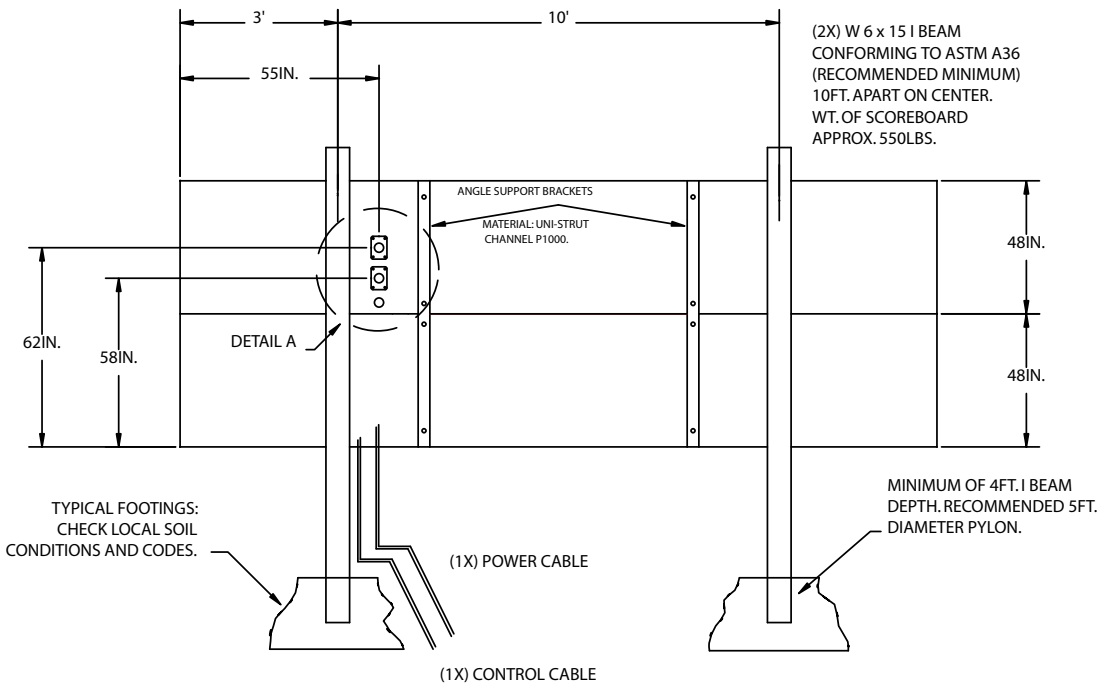
ANGLED SUPPORT BRACKET LENGTH IS 8FT.

I BEAM SHOULD EXTEND 4IN TO 5IN FOR TOP Z BRACKET.

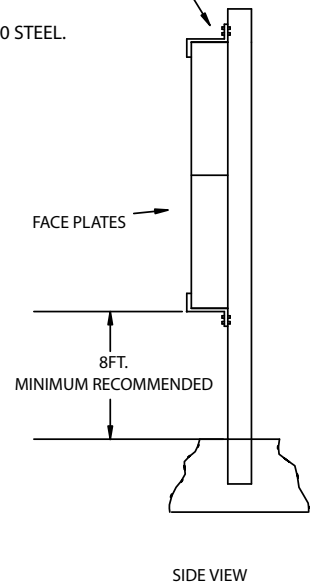
110 ACCESS PANEL DIAGRAM



MATERIAL: 1/4IN. X 3IN. P&O M1020 STEEL.



(4X) Z BRACKET SUPPLIED BY EVERSAN, INC.



MINIMUM OF 4FT. I BEAM DEPTH. RECOMMENDED 5FT. DIAMETER PYLON.

BACK VIEW

2. Connect the antenna, 9VDC adapter provided or optional 12-volt battery, to the 7375/7175/9376 wireless control console. (see diagram for proper placement)
3. Turn on the control console. The control console will display "WIRELESS NETWORK SYSTEM ID =" for approx. 3 seconds. The display will then show," EVERSAN, INC. SCOREBOARDS " for approx. 5 seconds. The console then will read " B=0 S=0 O=0 H/E=0,HOME=00 I=0 GUEST=00". The scoreboard will then show what is displayed on the console. See operating instructions.

WIRELESS CONTROL CONSOLE BATTERY OPERATION: (Optional)

1. Turn the scoreboard power on.
2. Attach Eversan, Inc.'s special battery connector to the 4-pin connector on the back of the wireless control console. (see diagram)
3. Connect the cigarette lighter plug into the Eversan battery pack or a car cigarette lighter.

MODEL 812V BATTERY (OPTIONAL)

CHECK LIST

12 VOLT 7 AH Battery w/ Carrying Bag
Battery Charger
Battery Cable w/ 4-Pin Connector
Carrying Harness

Care of Battery Pack

Under no circumstances should the battery pack be punctured or disassembled in any



way. NEVER insert anything into the battery receptacle except a standard cigarette lighter type plug. The battery pack should always be stored in a fully charged condition and in a cool, dry place. When stored for a long period of time, the battery should be charged before use.

Charging

The Battery should be charged after each use. Insert the cigarette lighter type plug of the charger into the receptacle on the side of the battery pack. Plug the charger into any standard 120volt household plug. Depending on the amount of drain on the battery, the following is a guide for recharging time. A 25% discharge requires 4 hours recharging. A 50% discharge requires 8 hours. A 100% discharge requires 14 hours recharging time.

NOTE:

The Battery should NOT be left in the Recharging mode for more than 24 hours as this can damage the cell.

CAUTION:

DO NOT attempt to charge this battery pack on currents other than 60-cycles 110/120VAC current. Do not attempt to use the battery during charging.

MAINTENANCE OF OUTDOOR SCOREBOARDS

The EVERSAN Outdoor Scoreboards rugged design will provide many years of trouble free performance.

Should you have a problem:

The EVERSAN Outdoor Scoreboard modular design allows easy removal and replacement of all key elements. **Under no circumstances will EVERSAN, INC. pay for service performed on any of our products without expressed written notice from EVERSAN, INC. to the Service Company.**

Note to the customer:

Please call our qualified service technicians if you experience any difficulties. We can assist you in solving your problem or help in returning the section in need of repair.

REMOVAL AND REPLACEMENT PROCEDURES

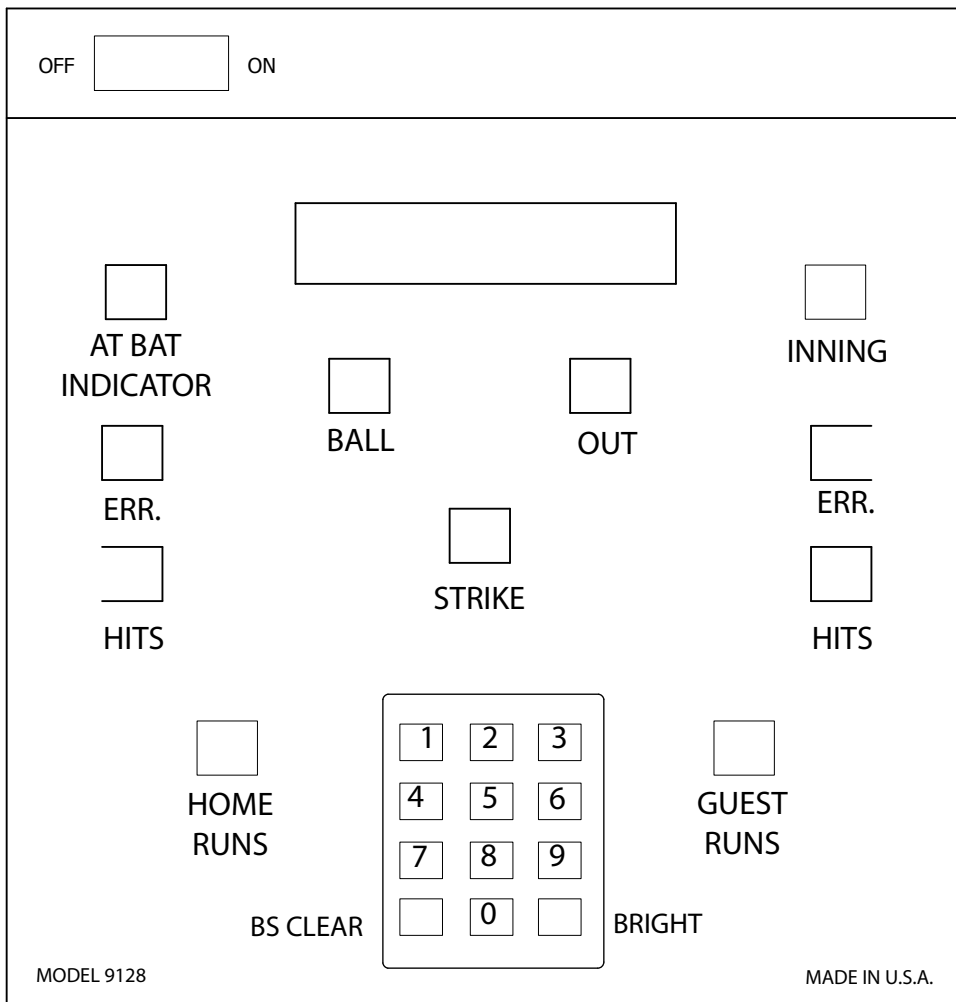
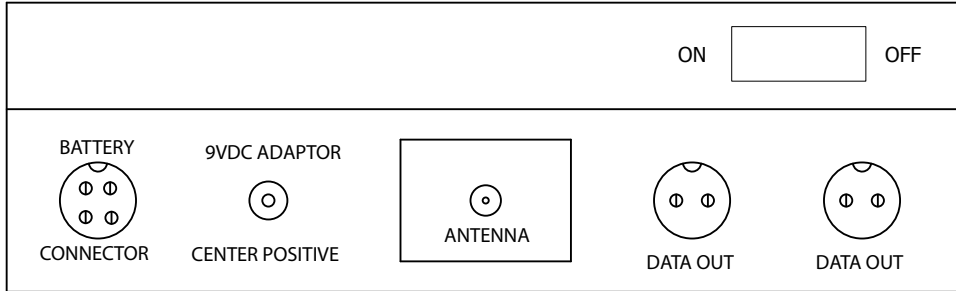
Should repair become necessary the customer will note that each digit (8) is housed as an individual item within the scoreboard.

- Determine which digit is malfunctioning by observing the check out of 8's during power up or during operation.

To remove or replace digits:

1. REMOVE ALL POWER FROM THE SCOREBOARD.
2. Unscrew the four screws and slowly pull digit away from scoreboard.
3. Detach 9-pin segment data cable connector by pushing down the latch on the side of the locking connector and pulling up.
4. Take the new digit and replace data cable connector in the scoreboard to the connector on back of digit. DO NOT FORCE. The data cable connector is polarized and can only be installed in one direction.
5. Replacing digit is the opposite of removing. Connector side is placed in first.

9128 2.4GHZ WIRELESS LCD CONTROL CONSOLE





www.eversan.com

**MODEL 9128
BASEBALL/SOFTBALL
SCOREBOARD**

Address: 34 Main Street, Whitesboro, NY 13492

Phone: 315-736-3967 • **Toll Free:** 800-383-6060 • **Fax:** 315-736-4058

SCOREBOARDS • TIMERS • MESSAGE SIGNS • VIDEO DISPLAYS • WIRELESS