

EVERSAN

www.eversan.com

MODEL 9100



BASEBALL/SOFTBALL SCOREBOARD

Instruction Manual

Address: 34 Main Street, Whitesboro, NY 13492

Phone: 315-736-3967 • Toll Free: 800-383-6060 • Fax: 315-736-4058

SCOREBOARDS • TIMERS • MESSAGE SIGNS • VIDEO DISPLAYS • WIRELESS

Table of Contents

Check List	1
Installation Instructions.....	2
Installation Drawing.....	3
Instructions for Wiring.....	4
Operating Instructions.....	5
Wireless Operation.....	5
Cabled Console.....	6
Wireless Console.....	7
Model 812V Battery(optional).....	8
Maintenance of Outdoor Scoreboards.....	9



Model 9100 All Purpose Scoreboard

Note to Customer:

These instructions must be followed to ensure correct operation and installation. The warranty will be violated and considered null if installation procedures are disregarded.

Should you require assistance or have any questions, please call 800-383-6060.

Check List:

- Model 9100 Scoreboard
- Control Console with LCD readout
- Two Conductor Control Cable (Cabled System Only)
- Mounting Brackets (4)
- Antenna (2) Wireless System Only

NOTE: If any pieces are missing, call Eversan, Inc. at: **(800) 383-6060**

SCOREBOARD INITIAL INSPECTION

Scoreboard must be tested prior to installation to verify no shipping damage has occurred. Failure to test the scoreboard prior to installation will void all warranties.

- A. Unpack scoreboard.
- B. Unpack cable and control console.
 - i. Plug horn connector into 2-pin connector to the right of the second digits.
 - ii. Plug the console cable and console into the console connector on the side of the scoreboard (see diagram). Cabled systems only.
 - iii. Install antenna onto the scoreboard above the power supply cover into the connector provided. (Wireless systems only)
- C. Testing - Remove four screws holding access panel on 120VAC box on the side of the scoreboard. (See Diagram) There is a standard 120-volt plug for testing. After testing cut connector provided. Match colors on power cable provided to three wires on 120V box. This board operates on 120VAC at a maximum of 6 AMP.

**SHOULD THERE BE A MALFUNCTION OR SHIPPING DAMAGE,
NOTIFY THE SHIPPER AND EVERSAN IMMEDIATELY.**

INSTALLATION

1. It is recommended that a professional sign company be hired to install the scoreboard. SEE **EVERSAN, INC. • 34 Main Street, Whitesboro, NY 13492 • 1-800-383-6060 Fax: 315-736-4058**
www.eversan.com

DRAWINGS

2. Eversan recommends a minimum depth of 4'-6"ft. with a 2' Footing diameter for the I-beams. Be sure to check local codes and soil conditions for your area.
3. Calculate the wind loading by standard formula for height and dimension of sign.
4. The Model 9100 is 8FT. X 5FT. X 5.5IN. and weights 165lbs.
NOTE: Check local codes for your area.
5. Prepare and sink I-beams, minimum recommended I-beam is W6 x 15 conforming to ASTM A36, align with plumb line and careful measurements to be 4FT. apart on center.
6. Determine, the height of lowest point, recommend 8FT. minimum, for scoreboard. Mark and align on all mounting beams parallel to visual ground sighting. Be sure to take into account any optional sponsor panels and allow for 4-inches from the top of the scoreboard to the top of the I-beam for the top Z-bracket.
7. Drill or weld provided Z-brackets to the posts as shown in the installation diagram.
8. Lift scoreboard with all optional sponsor panels assembled and set onto Z bracket. Secure temporarily with a clamp.
9. Place the top Z-brackets on the board and install in the same manner as the lower.
10. The board is now ready to be wired.

INSTRUCTIONS FOR WIRING

1. Plug horn connector into 2-Pin connector on the front of the scoreboard.
2. Determine 120VAC entrance and run conduit to pre-installed electric box on the side of scoreboard. See diagram.
3. The scoreboard draws maximum 6 amps but requires its own circuit breaker. Eversan, Inc. recommends using a 15-amp, GFCI breaker.

CAUTION: Cabled System Only

The data cable is a pre-wired, 2 conductor shielded cable. Any cable splicing should be color-coded or failure of the computer power supply will result, it is very important to maintain the integrity of the shield to avoid damage due to lightening.

Electrical Specifications:

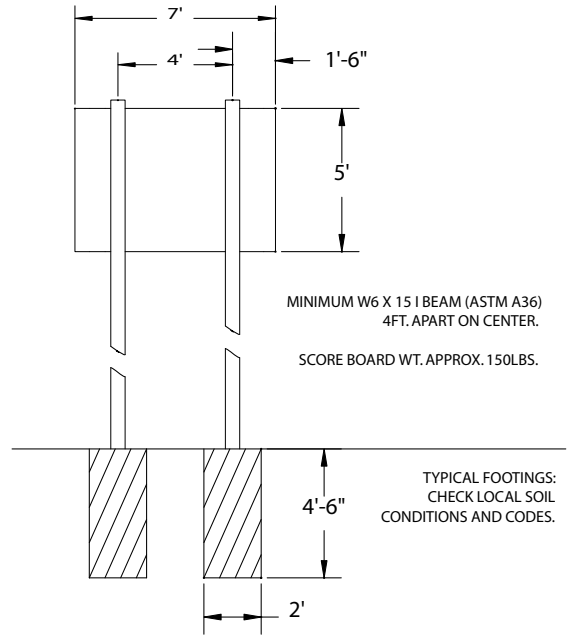
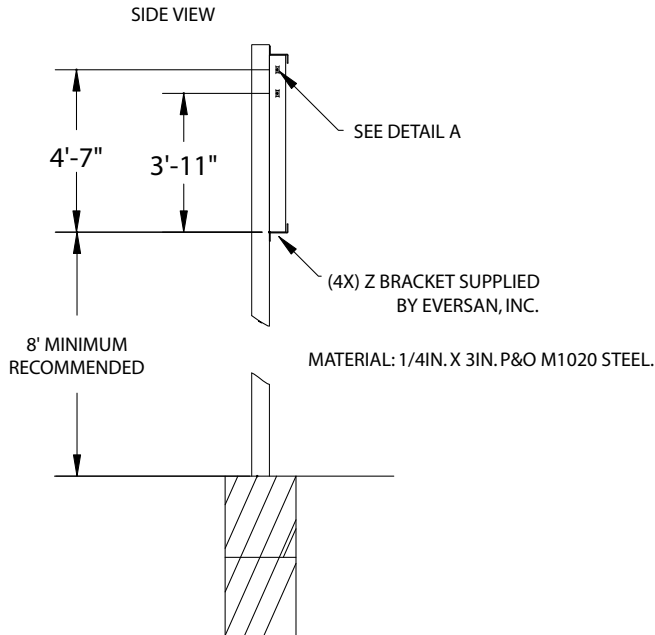
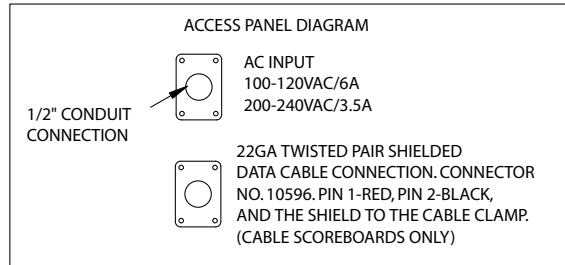
Electric outlets for scoreboards are always on a "clean" unused, switched breaker box. Pay close attention to the power source and connections. It is

TYPICAL INSTALLATION FOR MODEL 9100

1. SET I BEAM AT PROPER LOCATIONS.
2. LOCATE, ON I BEAMS, WHERE THE BOTTOM OF SCORE BOARD WILL BE AND MOUNT BOTTOM Z BRACKETS. EITHER BOLT Z BRACKET TO I BEAM OR WELD Z BRACKET TO I BEAM.
3. LIFT SCORE BOARD AND ATTACHED SPONSER PANEL (OPTIONAL) INTO Z BRACKETS, CHECK FOR LEVEL AND SECURE WITH TOP BRACKETS.

NOTE: ALL DIMENSIONS GIVEN FOR SCOREBOARD ONLY, MAKE APPROPRIATE ADJUSTMENTS FOR SPONSER PANEL.

DETAIL A



recommended that a key-switch or switched breaker box be used to turn off the system at the end of use each day. **Scoreboard is not turned off when the control console is turned off. You must shut off power to the scoreboard when it is not in use.**

POWER UP SEQUENCE

120VAC Operation: Cabled Version

1. Connect the data cable from the scoreboard to the control console.
2. Turn the scoreboard on. The scoreboard will now display 8's in each number position and then go blank.
3. Connect the 9V adapter or place a 9V battery in the battery holder of the control console. Turn on the control console. The control console will display, "EVERSAN, INC. SCOREBOARDS " for approx. 5 seconds. The console then will read " T=00:00 B=0 S=0 O=0, H=00 G=00 INN=0. The scoreboard will then show what is displayed on the control console.

Note: If the console will not power up or LCD displays "Battery Low" replace the battery with a 9V alkaline battery, or use an A/C adapter.

WIRELESS OPERATION

Eversan, Inc.'s 2.4GHZ frequency hopping spread spectrum wireless control system allows for multiple scoreboards to be controlled separately or together within feet of each other.

Initializing the wireless system:

The following steps must be used to ensure proper communication from the 9100 wireless control console and each scoreboard you want to control.

- 1.** Turn the power to on each 9100 Scoreboard that you want to control. The scoreboards should display a dash line at each number location.
- 2.** Connect the antenna, 9VDC adapter provided or optional 12-volt battery, to the 9250/75 wireless control console. (see diagram for proper placement)
- 3.** Turn on the control console. The control console will display "WIRELESS NETWORK PROTOCOL BEING SET" for approx. 3 seconds. The display will then show, "EVERSAN, INC. SCOREBOARDS " for approx. 5 seconds. The console then will read " T=00:00 B=0 S=0 O=0, H=00 G=00 INN=0.
- 4.** While the control console is going through its power-up sequence it initializes the radio in the scoreboard and the scoreboard goes through its diagnostic checkout. Each number position will flash a (8) eight and go blank; each indicator will flash on and then go blank. The scoreboard will then display what the control console displays.

OPERATING INSTRUCTIONS

1. **TO SET TIME:** Press and release the **TIME** button once and enter a (4) Digit number, example 12:00 minutes would be set by pushing **TIME** followed by 1200 via the 0-9 numbered keypad.
2. **TO SET THE SCORE:** Press and release the **HOME** or **GUEST** button once to increment by one. Press and hold down to decrement. Press and release the button and enter any 2-digit number using 0-9 on the numbered keypad.
3. **TO SET INN. /PER.:** Time must be stopped. Press the **INN. /PER.** button once to increment by one. Press and release the button and enter any number using 0-9 on the numbered keypad.
4. **TO START THE TIME:** Push **GREEN STOP/GO** once. To stop clock push **STOP/ GO** again.
5. **TO SET BALL, STRIKE OR OUT:** Press corresponding button once to increment by one.
6. **TO SET ERROR:** Press the **ERROR** button.
7. **TO CLEAR ERROR:** Press the **ERROR** button again.
8. **TO SET HIT:** Press the **HIT** button.
9. **TO CLEAR HIT:** Press the **HIT** button again.
10. **TO CLEAR BALLS AND STRIKES:** Press the **BSO-CLEAR** button.

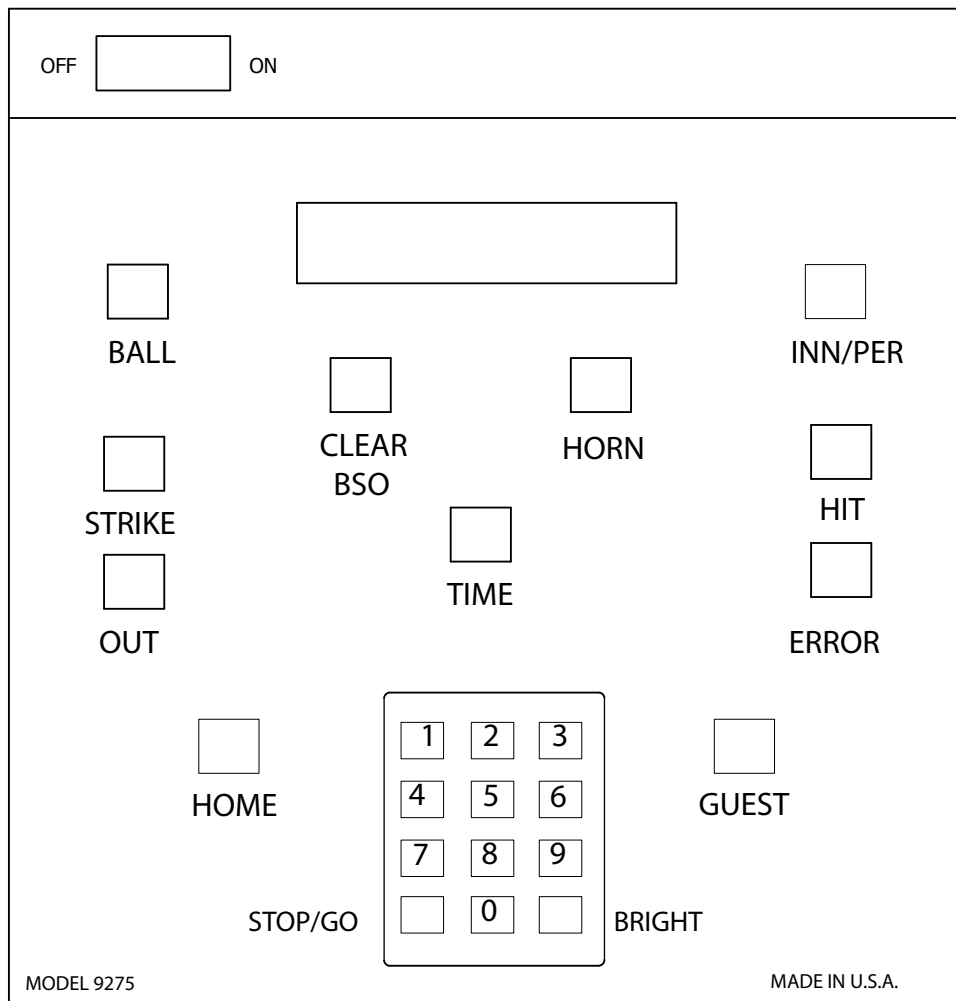
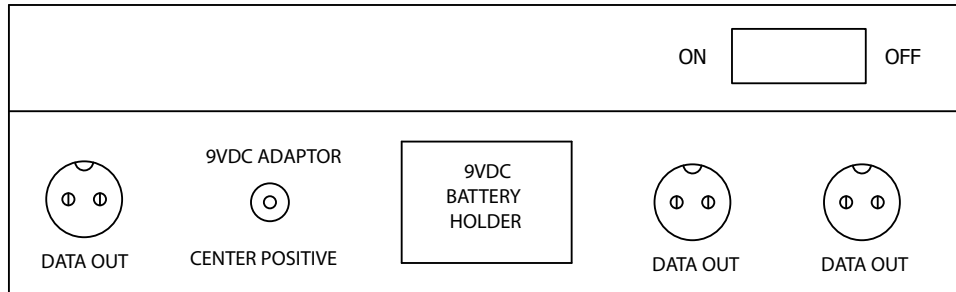
BRIGHTNESS CONTROL: This scoreboard has an optional automatic brightness control circuit to control how bright the LED's appear on the scoreboard. If this optional system was not purchased you can adjust the luminance manually. Press and release the **BRIGHTNESS** button and then push any number 0-9 on the keypad. 0 will blank the scoreboard and 9 will be maximum brightness.

Wireless Control Console Battery Operation: (Optional)

1. Turn the scoreboard power on.
2. Attach Eversan, Inc.'s special battery connector to the 4-pin connector on the back of the wireless control console. (see diagram)
3. Connect the cigarette lighter plug into the Eversan battery pack or a car cigarette lighter.

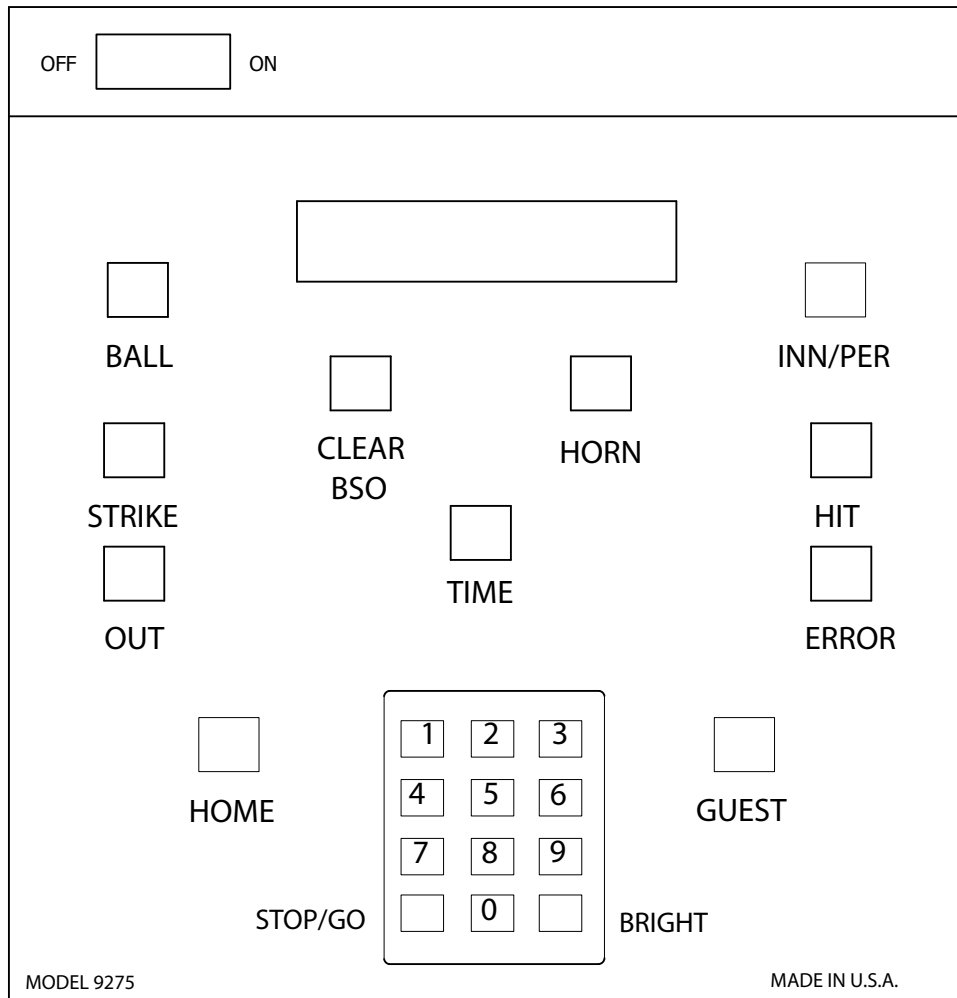
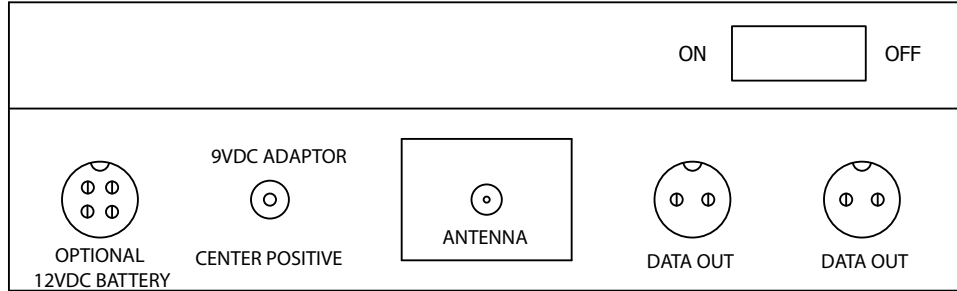
9100/9275

CABLED VERSION LCD CONTROL CONSOLE



9100/9275

2.4GHZ WIRELESS LCD CONTROL CONSOLE



Care of Battery Pack (Optional):

Under no circumstances should the battery pack be punctured or disassembled in any way. NEVER insert anything into the battery receptacle except a standard cigarette lighter type plug. The battery pack should always be stored in a fully charged condition and in a cool, dry place. When stored for a long period of time, the battery should be charged before use.

Charging:

The Battery should be charged after each use. Insert the cigarette lighter type plug of the charger into the receptacle on the side of the battery pack. Plug the charger into any standard 120volt household plug. Depending on the amount of drain on the battery, the following is a guide for recharging time. A 25% discharge requires 4 hours recharging. A 50% discharge requires 8 hours. A 100% discharge requires 14 hours recharging time.

NOTE:

The Battery should NOT be left in the Recharging mode for more than 24 hours as this can damage the cell.

CAUTION:

DO NOT attempt to charge this battery pack on currents other than 60-cycles 120volt/120volt AC current. Do not attempt to use the battery during charging.

MAINTENANCE OF OUTDOOR SCOREBOARDS

The Eversan Outdoor Scoreboard is a rugged design that will provide many years of trouble free performance.

Should you have a problem:

The Eversan Outdoor Scoreboard is designed to allow the customer to plug in parts for repair or replacement.

Note to the customer:

Please call our qualified service technicians if you experience any difficulties. We can assist you in solving your problem or help in returning the section in need of repair.

REMOVAL AND REPLACEMENT PROCEDURES

All Eversan Scoreboards are designed to provide many years of trouble free performance. The Scoreboards modular design allows the customer to easily remove and replace all key elements.

Please call our qualified service technicians if you experience any difficulties. **Under no circumstances will EVERSAN, INC. pay for service performed on any of our products without**

expressed written notice from EVERSAN, INC. to the Service Company and the customer.

Should repair become necessary the customer will note that each digit (8) is housed as an individual item within the scoreboard.

- Determine which digit is malfunctioning by observing the check out of 8's during power up or during operation.

To remove or replace digits:

1. REMOVE ALL POWER FROM THE SCOREBOARD.
2. Unscrew the (4) four screws and slowly pull digit away from scoreboard. See diagram.
3. Detach the data cable connector by squeezing the latch on the side of the locking connector.
4. Take the new digit and replace data cable connector in the scoreboard to the connector on back of digit. DO NOT FORCE. **NOTE:** The cable connector is polarized and must be installed in only one direction.
5. Replacing digit is the opposite of removing.



www.eversan.com

**MODEL 9100
BASEBALL/SOFTBALL
SCOREBOARD**

Address: 34 Main Street, Whitesboro, NY 13492

Phone: 315-736-3967 • **Toll Free:** 800-383-6060 • **Fax:** 315-736-4058

SCOREBOARDS • TIMERS • MESSAGE SIGNS • VIDEO DISPLAYS • WIRELESS